

HOGUE OVERMOLDED™ SHOTGUN STOCK

COMFORTABLE • DURABLE • NON-SLIP

Hogue's revolutionary new O.M.™ series Shotgun Stocks are molded from a rock solid fiberglass reinforced polymer, assuring stability and accuracy. The stock and forend are then OverMolded in key gripping areas with durable but resilient rubber. OverMolding gives the stock the comfort and feel Hogue is famous for.

UNIQUE AND EXTREMELY FUNCTIONAL

Hogue stocks incorporate every desirable feature a stock should have! With the addition of OverMolding, we have created a much superior and unique stock compared with anything on the market today.

UNIQUE FEATURES INCLUDE:

- Comfortable, non-slip OverMolded gripping areas
- Ambidextrous, ergonomically designed Palm Swells
- Cobblestone Texture
- Quality Recoil reducing Hogue butt pad
- Weatherproof construction
- Sling stud(s) included

ADVANTAGES:

- Provides ultimate shooting comfort
- Non-Slip gripping areas position the hand naturally
- Easy installation
- Easily upgradeable to the Hogue CompStock™ recoil system

Superior in every way to any conventional stock...All these features add up to the best value in shotgun stocks – Bar None!

ATTENTION

**Read and follow all instructions and warnings.
Before you start, make sure your gun is unloaded with no round in the chamber.**

INSTALLATION INSTRUCTIONS:

Before starting, MAKE SURE SHOTGUN IS UNLOADED. Check magazine and chamber.

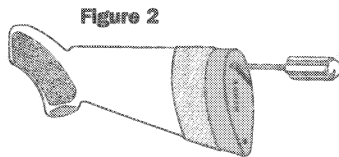
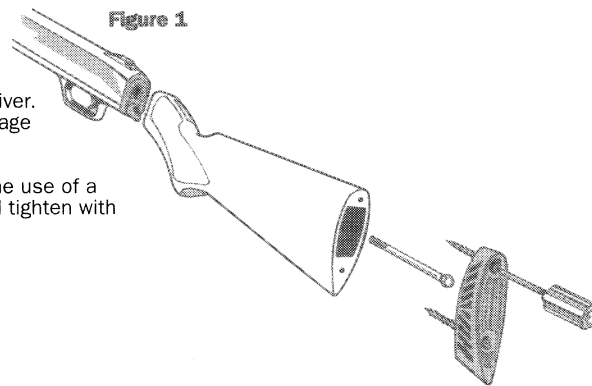
Buttstock:

1. Remove original buttstock. (Fig. 1) Refer to manufacturers instructions that came with your gun for the best method to remove your stock. Normally the pad is held in place with two phillips screws and the stock is held on by one bolt. Remove the butt pad by unscrewing the phillips screws and remove the stock bolt to free the stock from the shotgun.

2. Remove Hogue recoil pad and adapter from your OverMolded stock using a narrow shaft phillips screwdriver. Choose a screwdriver with a smooth shaft 1/4" or smaller in diameter. The correct screwdriver will not damage the rubber holes in the pad. Also, a couple drops of lubricant will help.

3. Attach the new buttstock in reverse manner, as shown (Refer to Fig. 2). Some shotgun models require the use of a different length bolt. If one is included, use it to attach your new stock. Use any washers that you have and tighten with a moderate to high degree of torque.

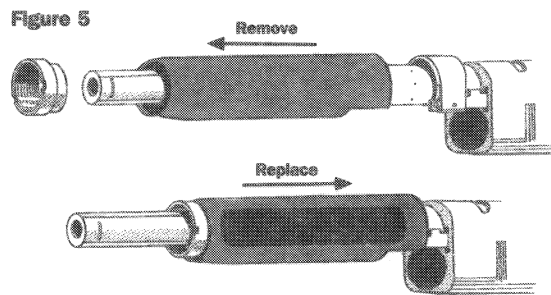
4. Reattach adapter and Hogue recoil pad with two screws each. Tighten securely.



FOREND INSTALLATION INSTRUCTIONS:

Refer to manufacturer's instructions that came with your gun for the best method to remove your forend. Shotguns generally have some type of retaining nut that must be removed to free the barrel and another to free the forend. (Refer to Fig. 5)

- 1.** Remove the barrel retention nut.
- 2.** Remove barrel from action
- 3.** Remove forend nut by turning with an appropriate tool.
- 4.** Forend will now slide freely off and detach from slide handle.
- 5.** Slide Hogue forend back onto slide handle. Reassemble in reverse order. Tightening the nuts according to the manufacturers recommendations.



HAPPY SHOOTING!



IMPORTANT INFORMATION ABOUT YOUR HOGUE STOCK

Your Hogue Shotgun Stock should only be used with the specific shotgun model for which it was designed. Before installing your new stock, be sure your gun is unloaded and follow the assembly instructions provided with this product. Check all functions of your gun after the stock and forend is installed. If you do not feel competent to check the proper function yourself, have your gunsmith check this for you. Finally, it is important to test-fire the gun after installation but before use in the field to be certain it functions properly and you can handle the gun safely.

All firearms are potentially dangerous; their use may cause great harm, personal injury or death. It is your responsibility to know the safe use, procedures and operation of your firearm, and to store, handle and transport your firearm safely. Proper training is available through accredited firearm safety training programs.

CUSTOMER SATISFACTION

Customer satisfaction is our number one priority. Do not hesitate to contact us with any problems. We will do our absolute best to help.

If you are not completely satisfied with your Hogue stock for any reason, you may, with proof of purchase, return it to the place of purchase within thirty (30) days for a full refund or replacement.

Due to manufacturing variations in firearms, we do not warrant that your stock will function correctly with any specific shotgun. Except for your right to return the stock for replacement or refund within thirty (30) days, this product is sold "AS IS" and "WITH ALL FAULTS." To the extent allowed by law, we specifically disclaim any express or implied warranties, including, but not limited to, warranties of merchantability and fitness for a particular purpose.

Inquiries concerning any Hogue product should be sent to:
Hogue Inc., P.O. Box 1138, Paso Robles, CA 93447 or phone (805) 239-1440 between 9 a.m. and 5 p.m. P.S.T.

HOGUE O.M. SERIES

**HOGUE
INC**

Hogue® is a registered trademark of Hogue, Inc.

CompStock™, Cobblestone™, O.M.™, and OverMolded™ are trademarks of Hogue, Inc.
OverMolded stocks are Patent Pending.